



Automatic 6-Side-Milling Machines - RHINO AUTOBLOCK

PROFIT FROM OUR TOOL EXPERTISE

Linsinger's latest machine generation provides our customers with the world's first fully automatic concept for 6-side milling. The perfect solution for all manufacturers of standard parts made from milled steel plates such as P and E-Plates, Die Sets, cavity plates and precision ground flat stock!

The flexible manufacturing cell is capable of machining all 6 sides (face and top surfaces) of a rectangular steel plate in a fully automatic cycle. With this unique machine concept, it is certain that the material will always remain clamped and located. Therefore, the tightest tolerances for rectangularity and plane parallelism can be ensured.

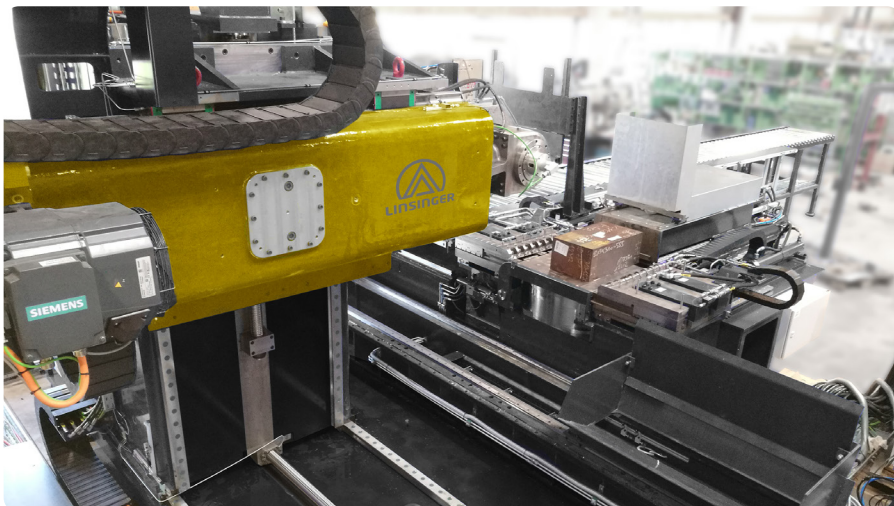
The machine boasts high power torque motors*, which allows the usage of large tool diameters to further increase the output.

A WIDE RANGE OF EXTRA FUNCTIONS IS AVAILABLE:

- Chamferring of edges
- Drilling and threading of transport holes
- Automatic marking/labelling of workpiece
- Automatic measuring of finished work pieces

MAIN ADVANTAGES:

- No manpower required
- No changeover times
- Lowest possible operation costs
- Full automatic machine
- Machine & Tool from one hand
- High output
- Automatic tool changer
- Modular machine design
- Complex materials machineable
- Automatic setup allows for short batch work, reducing stock holding

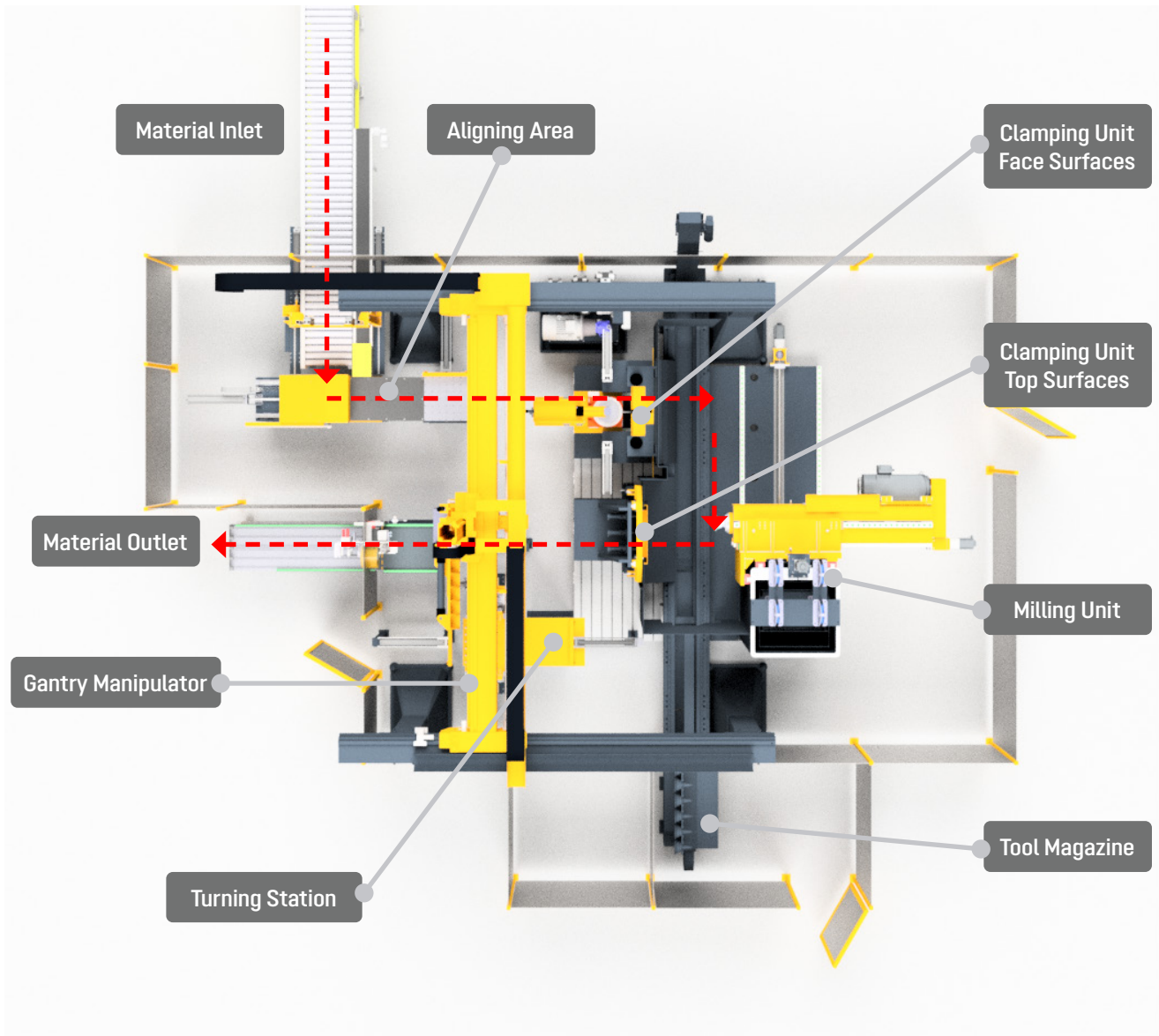


* Milling Unit RAM - available with 30 and 60 kW

MINIMIZE MANPOWER

Improved flexibility of your production

LINSINGER AUTOMATIC 6-SIDE-MILLING MACHINES | RHINO AUTOBLOCK



Machine Principle and Material Flow



LINSINGER 6-SIDE MILLING MACHINES

Available for Workpiece dimensions:

- Width/Length 100 x 100 – 600 x 600mm (4 x 4 – 24 x 24")
- Thickness 20 – 250mm (0,8 – 10")
- Larger dimensions up to 1200 x 1200mm (48 x 48") available upon request

The details, data and drawings etc. contained in all brochures/catalogues of Linsinger are purely of informational nature and these details explicitly cannot be interpreted in order to derive any claims whatsoever against Linsinger. The details etc. are only binding for Linsinger if they expressly become part of a contract concluded between Linsinger and the Buyer or if they are confirmed in writing by Linsinger in the course of an order confirmation.

LINSINGER Maschinenbau Gesellschaft m. b. H. • Dr. Linsinger Straße 23-24 • A-4662 Steyrermühl
Tel.: +43 (0) 76 13/88 40 • Fax: +43 (0) 76 13/88 40-951 • E-Mail: maschinenbau@linsinger.com • www.linsinger.com